

Stock Code: **20356LEDDMGLP-SAT/FST**

Collection: Oceanus

### PRODUCT INFORMATION

Base: 20356 Parent: 20356LEDDMGL  
Mounting Type: Ceiling UPC: 641594221787  
Finish: Satin  
Diffuser: Frosted

### PRODUCT MEASUREMENTS

FIXTURE	BACKPLATE / CANOPY
Length:	Length 5"
Width:	Width: 4.75"
Diameter 15.75"	Diameter:
Height:	Height:
Extension: 5.5"	
Overall Height:	

### TECHNICAL SPECIFICATIONS

#### SPECIFICATIONS

Frame Material: Aluminum  
Diffuser Material: Glass  
Lamping Type: E-26 (Replaceable LED Jbox: Standard  
Lamping Base: E-26 Lamp Wattage: 10 W  
Lamp Quantity: 2 Total Wattage: 20 W  
Voltage: 120v Lamps Included: Yes

#### QUALIFICATIONS

Location Rating Wet  
Certification: ETL (US/Canada) Listed  
ADA Compliant: No Energy Star: No  
JA8 Compliant: Yes Emergency Lighting: No  
Marine Grade Finish: Yes  
Warranty: 5 Year

#### PHOTOMETRICS

Dimmable: Yes Nominal Lumens 1600 Lm  
CRI: 80 Delivered Lumens: N/A  
CCT: 3000K  
Recommended Dimmers:  
(MLV)COOPER Aspire 9530SW; (ELV)LUTRON Skylark SELV-300P; (TRIAC)LEGRAND Titan CD703-PW

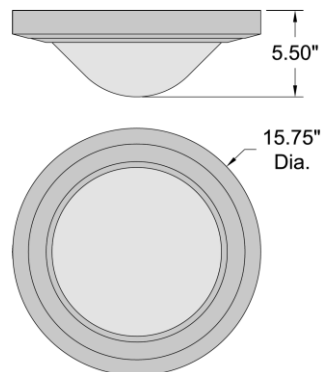
#### ADDITIONAL NOTES

Custom Finish 5 Piece Minimum Order Quantity

Project Name: \_\_\_\_\_  
Location: \_\_\_\_\_  
Type: \_\_\_\_\_  
Quantity: \_\_\_\_\_  
Notes: \_\_\_\_\_



#### LINE DRAWING



#### IES FILE

In addition to Access Lighting's purchase and warranty terms and conditions, by signing below or placing an order, you agree that you are authorized to bind the entity placing any order and acknowledge the following: All of sizes and measurements are approximate and all images are for illustrative purposes only. In the event of an inconsistency, the "Product Measurements" section controls. There also may be slight differences in the colors and designs compared to the displayed and printed images.

Signature: \_\_\_\_\_

Print Name \_\_\_\_\_ Date: \_\_\_\_\_

Toll Free 800-828-5483 [www.AccessLighting.com](http://www.AccessLighting.com)

14410 Myford Road, Irvine, CA 92606

